

GoldenEar™



Invisa® HTR 7000 & 8000

Invisa In-Ceiling Home Theater Reference Loudspeakers

Owner's Manual

Congratulations!

Congratulations and thank you for purchasing GoldenEar's™ Invisa® HTR 7000/8000 speakers! You are about to hear the spectacular difference these very special FocusField Technology In-Ceiling speakers will make in your music and/or home theater system!

Our engineers' many years of experience in developing loudspeakers has led to these extraordinary products. In order to ensure that you experience maximum performance, please take a moment to fully read this owner's manual and familiarize yourself with the unique installation, assembly and set-up procedures for your Invisa HTR 7000/8000 speakers-based music and home theater system.

Please visit our website at www.GoldenEar.com for more information on the technology behind your new speaker system. If you have additional questions, contact your Authorized GoldenEar™ Dealer or visit the Q&A page in the Tech Support section of our website.

Your New GoldenEar Speakers

GoldenEar Invisa HTR 7000/8000 in-ceiling speakers are designed to fit beautifully in a wide variety of applications. Their low-profile grille and nearly invisible design allows for perfect integration in a wide variety of locations within your home. To get the best performance possible and for a product that lasts a lifetime, we strongly recommend that you follow the placement and setup guidelines provided in this manual.

Cleaning

Do not use a strong or abrasive cleaner on your new speakers' grilles. Clean them only with a damp cloth, but do not get them wet.

Preventing Speaker Damage



USE AN APPROPRIATE AMPLIFIER. At high volumes a very powerful amplifier can overdrive your speakers and damage them. And if the amplifier is not powerful enough, it can produce distortion that can easily damage your speaker. (Consult your dealer for assistance.)



DON'T BE FOOLED BY YOUR RECEIVER'S VOLUME CONTROL. It only adjusts listening level; it is not an indication of power output. If your speakers begin to sound harsh or grating or if you hear other forms of distortion, turn down the volume immediately!



Avoid use of tone controls and loudness controls as they will demand even more power from an amplifier, lowering the volume at which damage could occur.

GoldenEar Invisa HTR 7000/8000 speakers are efficient and can be driven to loud listening levels with moderate amplifier power. They are also able to handle the output of very powerful amplifiers. To prevent damage to your speakers, please read all of the following guidelines before hooking them up.

Amplifier Distortion — #1 Threat to Your New Speakers!

Amplifier distortion is the principal cause of speaker damage. When listening at loud levels your amplifier may run out of clean power. It will then begin to produce speaker-damaging distorted power. This will damage any brand of speaker very quickly! More powerful amplifiers are actually safer. For example: A 40 Watt/channel amplifier will have substantial distortion above 40 Watts. If driven to 50 Watts, this amplifier will deliver speaker-damaging distorted power! But a 100 Watt/channel amplifier will have very low distortion below 100 Watts. Therefore, when the speaker requires 50 Watts, this more powerful amplifier will deliver clean power and speaker damage is less likely to occur. (See your GoldenEar dealer for amplifier recommendations.)

Volume Setting

Do not be fooled by the Volume setting of your receiver/preamplifier. It only adjusts listening level — it is not a “power-output” dial. The amount of amplifier power actually used at a given Volume setting depends solely on the nature of the source material you are listening to (at a given Volume setting a quiet section of music will use less amplifier power than a loud section). With typical material, the rated output power of many receivers/amplifiers is often reached when the Volume is set to around -10dB, or between the “11” and “1 o'clock” settings with an analog control (with bass/ treble and loudness controls not used — otherwise rated power may be reached at even lower Volume settings). Remember, all amplifiers produce distortion when operated beyond their rated output power. The resulting distortion will damage all speakers! If you listen at loud levels, be careful to listen for the point of audible distortion — if the speakers begin to sound distressed, turn the Volume down or your speakers and/or amplifier(s) will be damaged! This type of damage constitutes abuse and is not covered by the warranty. If louder volumes are desired, consider a more powerful amplifier.

There is Actually a Limit!

Even with these safer, more powerful amplifiers, there is a point at which you could have more power than the speaker can handle. At that point you will overpower the speaker and damage it. At loud levels do not increase bass/treble controls from zero and ensure that all loudness/contour/bass EQ buttons are off (otherwise rated output power will be reached at even lower volume control settings).

The Right Amount of Power

A power-range rating is given in the specifications as a guide to indicate the approximate minimum and maximum power input of your GoldenEar Invisa HTR 7000/8000 speakers. Amplifiers that meet or even exceed the speaker's power-range rating are recommended as their greater power reserves provide better sound. But always use the speakers within their power-range rating to prevent damage — that is, keep listening levels below the point of obvious audible distortion.



Speaker Placement

GoldenEar Invisa HTR 7000/8000 speakers are designed to allow flexible placement while providing a very large window of sound throughout your listening room. Please remember that although the following recommendations are usually valid, all rooms and listening setups are somewhat unique, so do not be afraid to experiment with the speakers. Remember, whatever sounds best to you is correct.

Room Acoustics

GoldenEar Invisa HTR 7000/8000 speakers are designed to provide exceptional sound in a wide variety of domestic settings. It is important to note however that listening room construction, dimensions and furnishings all play a part in the quality of sound you will ultimately achieve from your new speakers. The listening room will impose its own character on the performance capabilities of the speaker system. Regarding the room, please note that:

- Mid and high frequencies are affected by the amount of soft furnishings in your room — curtains, carpets, sofas, wall coverings, etc. An excess of such items can result in a somewhat dull sound. The same room without any soft furnishings can produce an overall bright sound. The typical quantity of soft furnishings found in most living environments provides the right acoustic characteristics to allow the speakers to sound balanced;
- Concrete floors and walls tend to aggravate low-frequency standing wave problems and are less preferred;
- Rooms where height, width and length are similar can exhibit significant low-frequency standing wave problems. This may result in reduced clarity. In such rooms avoid corner placement to minimize acoustic problems.

The extra care you take in correctly positioning the speakers will result in greater listening enjoyment. So, keep the following guidelines in mind when deciding on the best speaker placement.

To ensure the best performance possible, observe the following placement guidelines:

LOCATION: When preparing to install your speakers pick a location that has the required clearance between ceiling joists. Make sure to check for wiring, conduit, water pipes, HVAC ducts and other obstructions before cutting the installation hole. When used as Main Left, Center and Right channels, the Invisa HTR 7000/8000 speakers are designed to project a sonic image in front of the listener, even though the speakers are positioned in the ceiling. This is achieved through our FocusField technology, which is optimized when the speakers are installed to achieve the correct height/distance geometry. The speaker is designed for optimum performance for a ceiling height range of 7'–10' (2m – 3m), with a seating distance range of 8'–20' (2.5m – 6m) from the seating location, although distances outside this range can still give good results. The taller the ceiling, the further the ideal distance, and vice versa.

ACCURATE TIMBRE: For the most accurate and natural timbre, make sure the speakers are located within the correct height/distance range (as outlined above), and rotated so the driver array is pointed at the center listening position.

BALANCED BASS: Placing speakers too close to side/back walls will over-emphasize bass and reduce overall clarity. If possible, position speakers at least 12" away from the side and back wall. This will ensure better balanced performance and optimal midrange clarity.

FOR BEST IMAGING: Measure the distance from your main listening area to the left front speaker (we'll call this distance "X"). For optimal imaging and largest soundstage, place the Left and Right speakers this "X" distance apart from each other (and no less than $\frac{3}{4}$ of that distance — so $\frac{3}{4}$ of "X" up to "X"). For Home Theater installations with Invisa HTR 7000/8000 speakers for L/C/R, place the center speaker directly above the center of your TV and the Left and Right speakers at equal distance (still "X" or $\frac{3}{4}$ "X"), as shown in Figure A below.

Placement Options For Invisa HTR 7000/8000 In-Ceiling Speakers

GoldenEar's HTR 7000/8000 in-ceiling speakers are designed for optimum performance in rooms with a 7'–10' (2m – 3m) high ceiling, although good performance is certainly possible outside of this range. Their unique "FocusField" design and construction allows them to "focus" the sound toward a specific area in much the same way we focus a floodlight to flood an area with light. The driver and tweeter used in the HTR7000/8000 are angled at approximately 30 degrees relative to the ceiling surface. For overall clarity and balanced bass performance, speakers should be mounted in the ceiling 12" (30 cm) or more from the walls.

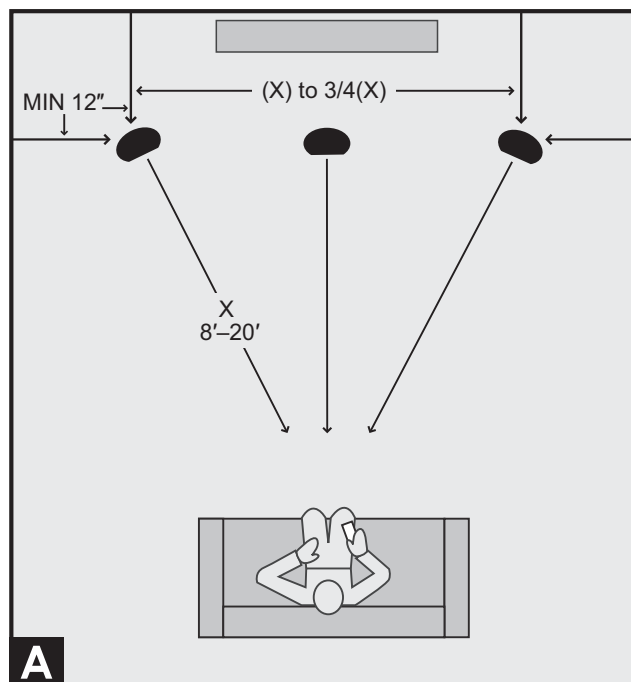
NOTE: Focusing the sound should be done after connecting the speaker but before final tightening of the lock arms. See "Fine Tuning the Invisa HTR 7000/8000 Speakers," below.

Invisa HTR 7000/8000 FocusField Front Left/Right Speakers (Fig. A)

Follow the general guidelines for speaker placement provided on page four and five, keeping in mind the distance from the front speakers to your primary listening area should optimally be between 8' to 20', as shown, with the driver array aimed toward the center of the listening area.

Invisa HTR 7000/8000 FocusField Center Speaker (Fig. A)

Position the center speaker between the L/R speakers, with the driver array aimed toward the center of the listening area.



Positioning Invisa HTR 7000s and 8000s as Left/Right/Center Fronts

Invisa HTR 7000-8000 Speakers as Surrounds/Rears (Figures B&C)

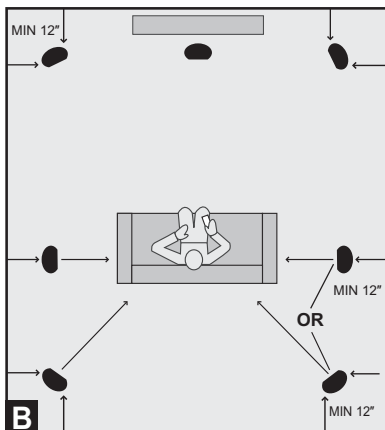
The Invisa HTR 7000/8000 speakers are also ideal for use as surrounds/rears. In this configuration, all channels are positioned with the driver array aimed toward the listening area. When used as surround speakers in a 5.1-channel system, Invisa HTR 7000/8000 speakers may be located to the side or behind the listeners. When used on the sides, take care never to locate the speakers forward of the listeners. If the speakers are installed behind as surrounds, it is suggested that they be positioned fairly wide apart if possible. Installation in the rear corners is also a good surround speakers location. Rear speakers in a 7.1-channel system should be placed fairly close together (4-6 feet) as shown. Use Fig. B as a guide to positioning as you experiment to achieve optimal surround sound in your room.

5.1-Channel Surround Placement (Figure B)

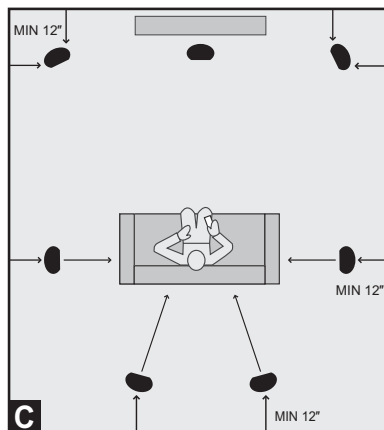
Position one speaker on either side of the listening area with the driver array aimed toward the center of the listening area as shown. Alternatively, position each speaker behind the listener and as far apart as possible.

7.1-Channel Surround/Rear Placement (Figure C)

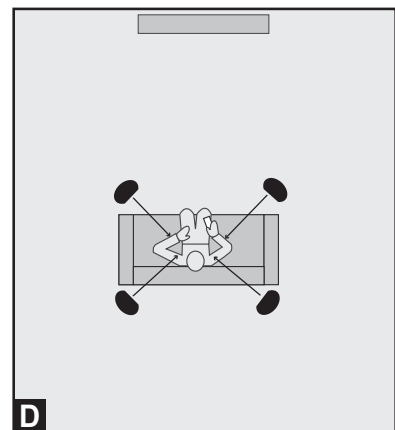
Begin with the 5.1-channel Surround Placement (as above), then position another pair of speakers behind the listening area, one slightly right, the other slightly left of the center listening position, with the driver array aimed toward the center of the listening area as shown.



Invisa HTR 7000 & 8000 5.1-Channel Surround Placement Options



Invisa HTR 7000 & 8000 7.1-Channel Surround Placement Options



Invisa HTR 7000 & 8000 Height Channel Placement

Invisa HTR 7000 and 8000 Speakers as HEIGHT Channels (Figure D)

The Invisa HTRs also make perfect Height Channel speakers for object-oriented surround formats such as Dolby Atmos and DTS:X. See figure D above for placement options. In this configuration, the speakers are to be located less than the minimum 8' from the listening area to preserve the "from above" location cues while eliminating "hot spots" caused by direct radiating models in rooms with low ceilings.

Fine Tuning the Invisa HTR 7000 and 8000 Speakers

Once you have decided on placement, install and connect the speaker following directions that follow. Before final tightening of the lock arms, rotate speaker until the driver array points in the desired direction. To readjust direction of sound, loosen lock arm screws (see installation instructions section below), rotate drive assembly until it points in the desired direction, then re-tighten lock arms.

Speaker Break-In

Your new Invisa HTR 7000/8000 loudspeaker system should sound good as soon as you turn it on; however, an extended break-in period of 40-60 hours or more of normal playing time is required to reach full audiophile performance capability. Break-in allows the driver suspensions to work-in and crossover components to “heal,” resulting in fuller and tighter bass, a more open “blooming” midrange and smoother high frequency reproduction.

Color-Match Painting (optional)

Your new Invisa HTR 7000/8000 in-ceiling speakers include a paintable “edgeless” grille that completely covers the installed speaker. The grille comes in a neutral white to blend with most areas, however, for the ultimate in “stealth” installation, they may be painted to match any decor. **PLEASE NOTE: Failure to follow the instructions below may result in a serious degradation of sound quality!**

Please Note:

- Do not paint the grille with a brush or roller — this will clog the grille's acoustic perforations and muffle the sound.
- It is not necessary to remove the backing cloth, or scrim, from the grille before painting.
- Do not heat cure the finish.
- Do not paint the grilles while attached to the speaker.

To paint, follow these steps:

1. Remove the grille from the speaker and place it on a drop cloth.
2. Spray paint the grille using:
 - i. A spray paint that closely matches the color and shine desired.
 - ii. A custom-made spray can, color matched to your paint finish.
 - iii. The indoor latex paint used to paint the ceiling or wall, but diluted to the paint manufacturer's/ spray gun manufacturer's recommendations.
3. In a well-ventilated area, apply multiple thin coats of paint, sprayed at about a 60 degree angle from the grille's surface, letting the grille dry for 10 minutes between coats. Follow the paint manufacturer's directions.
4. To insure the paint is evenly applied, each coat should be applied from multiple directions (at least four) following directions in step 3.
5. Once the painted grille has dried completely, if necessary you can use a brush or small roller to touch-up the grille's outer edge — just be careful not to get any additional paint on the grille's perforated surface.

Installation Instructions

Installation of your new Invisa HTR 7000/8000 speakers requires use of tools such as a drill, screwdriver, saws and possibly other power tools. The installer should have knowledge of all applicable building and/or fire codes. Care must be taken to ensure the area behind the wall or ceiling where you plan to install the speakers is clear of obstructions. When cutting the hole in and running wires through walls and/or ceilings proper care must be taken to avoid electrical, water, gas and/or HVAC pipes and the corresponding risks to your safety and risk of damage to property.

If you are not comfortable with the above and/or performing the following installation procedures we strongly suggest having a professional contractor install your speakers (see your GoldenEar Dealer).

Tools Required:

- Pencil
- Drywall saw, Keyhole saw, utility knife or other material-appropriate cutting tool for wall material
- Phillips Head Screwdriver
- Power drill with appropriate bit (optional, for starting wall cut)

Installation Into Existing Walls or Ceilings

For new construction (pre-drywall), use our custom rough-in brackets, sold separately.

NOTE: You must first install appropriate speaker cables. For the best sound quality, the use of high-quality speaker cable is every bit as essential as high-quality amplification and electronics.



Use only cable that is rated for in-wall use (UL Standard CL2, CL3 and CM, CSA standard FT4).

1. Make sure the wall material can support the weight of the speakers you plan to install (see specifications page for weights).
2. Make sure the location selected is free of studs, electrical wiring, water or gas pipes, etc. Prior to installing, hold the speaker in your selected location to make sure it is clear of any obstacles. **PLEASE NOTE: Your cutout must be at least 2" (50mm) from adjoining walls/ceiling, internal studs, and any pipes.**
3. Place the included mounting template onto the wall or ceiling in your preferred location. Use the pencil to trace around the template (Figure 1).
4. Carefully cut a hole with the appropriate cutting tool along the pencil trace as follows: Start the hole by drilling a hole inside of the pencil line (place drill bit just inside the line). Use this hole to insert the cutting tool and begin cutting — be careful not to cut outside the template line! (Figure 2).

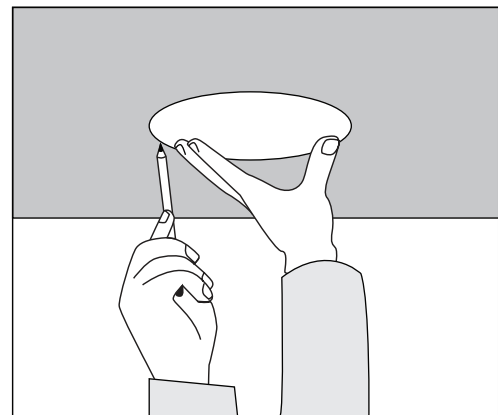


Figure 1

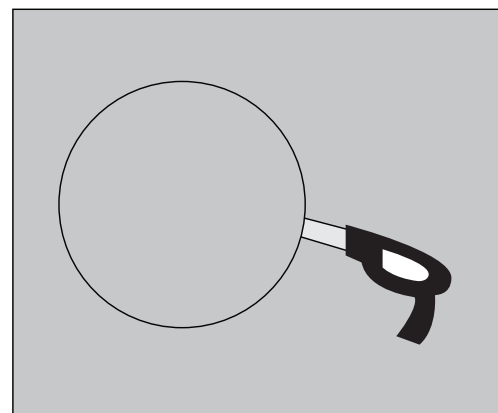


Figure 2

5. For optimum performance, loosely place one piece of standard fiberglass insulation, cut to fit the joist size, above the speaker and extending about 15" or more beyond the speaker; For taller joists, also place fiberglass insulation against the joists on either side of the mounting hole.



Turn your amplifier/receiver OFF before performing any connection steps, in order to prevent accidental damage to your amplifier.



If you plan to use multiple speakers per amplifier channel. The minimum impedance of ONE Invisa in-wall/in-ceiling speaker is 4 ohms per channel.

6. Pull the speaker wire out of the hole and connect the speaker as follows:
 - Your Invisa HTR 7000/8000 speakers are equipped with a set of high-quality push spring connectors that can be used with bare wire. Make sure all wires are firmly fastened. Always use high quality speaker wire of the correct rating (see above) and sufficient gauge for the distances you are running (see your dealer for assistance).
 - Strip 1/2" (12 mm) of insulation from each of the two conductors to expose the metal, twist the strands of each into a single un-frayed strand.
 - Hold the speaker up to the cutout and connect the speaker cable. Proper polarity (or phase) is critical for proper stereo imaging and bass performance. Connect the red(+) terminal of your receiver or amplifier to the red(+) terminal of the Invisa loudspeaker and the black(-) terminal of your receiver or amplifier to the black(-) terminal of the Invisa loudspeaker (See Figure 3). Most speaker cables are either color coded or have some indicator (ribbing or writing) on one of the conductors to help maintain this consistent polarity. It is essential that all speakers be connected in the same way (in phase) to its own channel of the amplifier. If you experience a great lack of bass, it is likely that one speaker is out of phase(+ and – reversed) with the other.

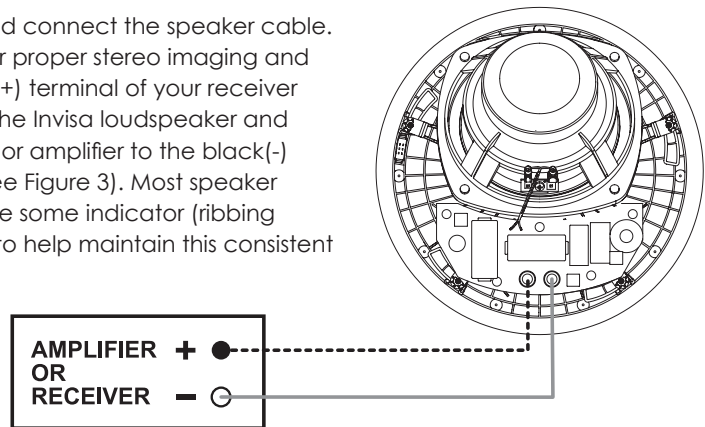


Figure 3

- Push down on the top of the speaker's push terminal to reveal the wire hole in the post. Insert the wire into the hole and release your pressure on the terminal.

7. Loosen the four rotating lock arms on the speaker by turning the arm screws on the front of the speaker counterclockwise $\frac{1}{2}$ to 1 turn, just enough to allow the lock arm to move freely (Figure 4).
 - Make sure the rotating lock arms are positioned inwards (Figure 5) so that your speaker fits into your cutout hole.

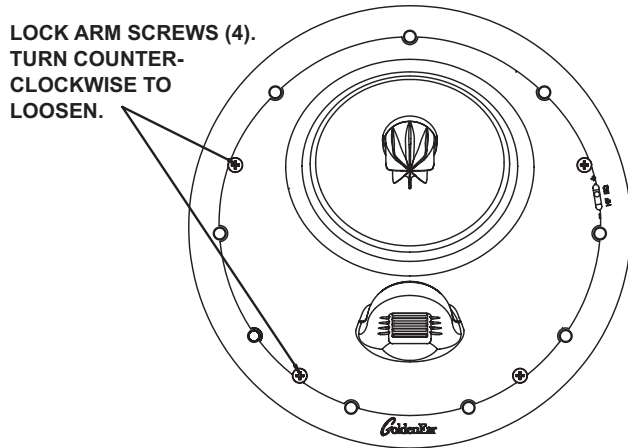


Figure 4

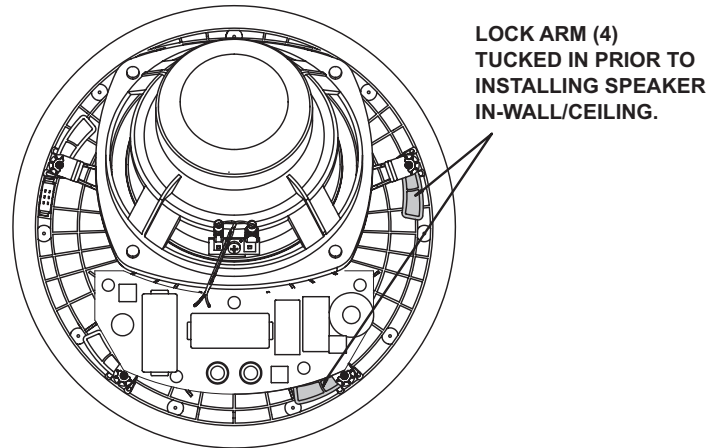


Figure 5

8. Holding the speaker's front lip with your thumbs and index fingers, carefully slip the speaker into the cutout and hold firmly in place. (Figure 6).

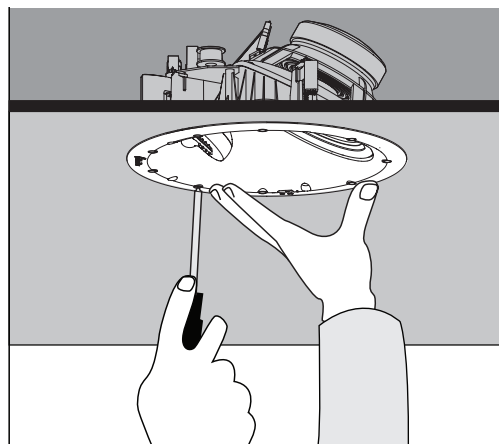


Figure 6

9. While holding in place, tighten the four lock arm screws with a screwdriver (Figure 7). This will rotate the lock arms and secure the speaker to the wall/ceiling. **DO NOT OVERTIGHTEN** the lock arm screws as this could damage the drywall. If you are using a power screwdriver or drill, set the torque to a value of no more than 7 in.-lb (8dN-m).

LOCK ARM SCREWS: TURN CLOCKWISE TO TIGHTEN LOCK ARMS AND SECURE TO MOUNTING SURFACE (4 PLACES)

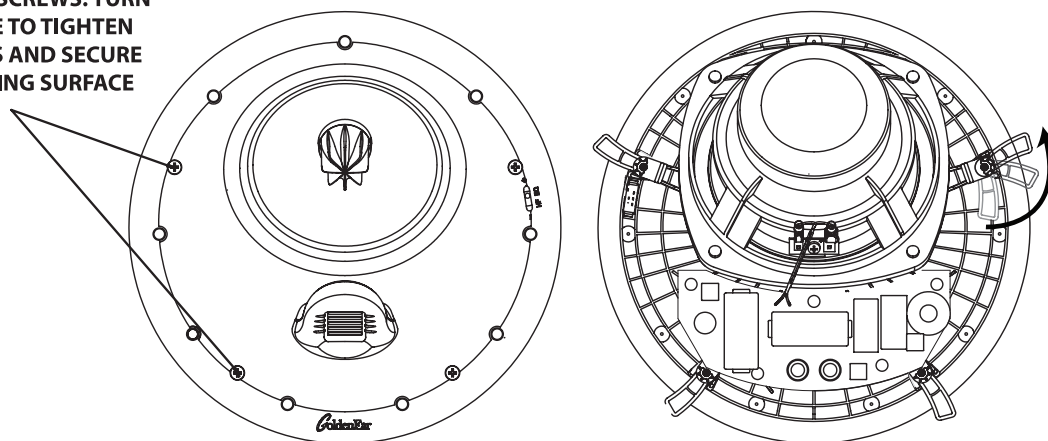


Figure 7

10. Install the grille by placing it over the installed speaker and aligning the powerful miniature magnets.

Setting the Invisa Speaker's High Frequency EQ Control (HF EQ Switch)

We suggest starting with the HF EQ control (Figure 8) in the center position, in typical rooms with a balance of reflecting and absorbing surfaces. If, however, your listening room is overly "bright" due to many reflective, hard surfaces, select the "-" position to effectively compensate for this type of room acoustics issue. If, however, your listening room is filled with heavy furniture and fabrics or you are sitting fairly far from the speakers, making the sound "dull", select the "+" position to compensate for this type of room acoustics issue.

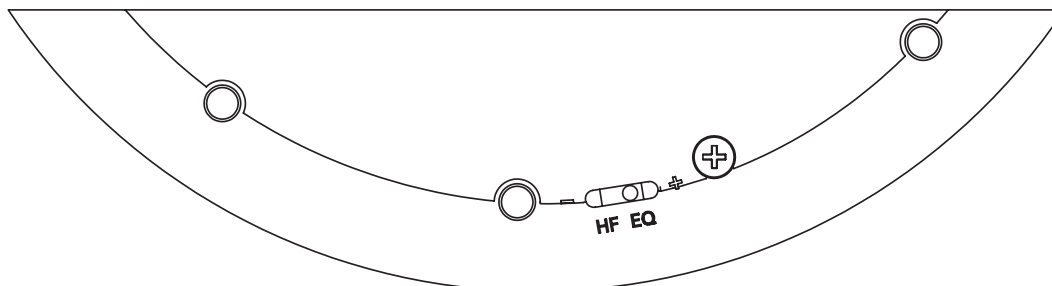


Figure 8



Setting Bass and Treble Controls on Receiver or Amplifier

Normally we recommend that you set the "Bass" and "Treble" controls on flat (or off, or 0 dB). Same applies for a graphic equalizer; we recommend that you leave it flat (or off). This will give you the most accurate and natural sound. If you want more bass, raise your subwoofer's "Level" control (or raise the subwoofer level on your A/V receiver), keeping in mind that even a little turn of the knob can make a big difference in the sound. The reason for this recommendation is that we have discovered what is often thought to be improper sounding speakers is, in fact, a problem caused by the use of tone controls. When in doubt, leave them out (flat); this almost always results in the best possible and most natural sounding system performance.

Complete Home Theater Systems

We strongly suggest that you use matching GoldenEar Invisa loudspeakers and a ForceField subwoofer, for your complete GoldenEar home theater system. Invisa HTR 7000/8000 speakers are designed to be used as front, rear and/or side surround speakers, with exceptional results for both music and movies. Of particular note, the GoldenEar ForceField Subs have been designed specifically to make a perfect match with the Invisa HTR 7000/8000 speakers.

Using the Invisa HTR speakers in a Multi-Channel Home Theater Application

When using the Invisa HTR 7000/8000 as part of a home theater system that includes powered subwoofer(s), it is extremely important that bass is directed to the subwoofer and NOT the Invisa HTR 7000/8000 speakers. This is done through the use of a high-pass filter, implemented as part of the setup of the bass management system of your home theater receiver/processor (see below).

Setting Channel Levels and Bass Management

Multi-channel surround sound systems have bass management systems (systems which direct the bass to the various channels) which vary from unit to unit. This bass management system must be properly adjusted, in particular it is extremely important that bass is directed to the subwoofer and NOT the Invisa speakers in these setups, through use of bass management settings as described below. Many problems relating to the overall sound of the system can be traced back to improper bass management. Also note that Multi-channel surround sound systems have a critical channel balancing procedure for setting the level for all speakers which must be followed if the system is to perform properly. Many problems relating to the overall sound of the system can be clearly traced back to improper system balance.

Home Theater System Bass Management Settings: On your Home Theater receiver or A/V processor's Speaker Setup Menu, set speaker to "Small" for all channels using Invisa HTR 7000/8000 speakers, and set Subwoofer to "Yes." The standard 80Hz crossover is the recommended setting (or at least starting point) for the crossover setting.

Setting Channel Levels: On your receiver or A/V processor's Speaker Level Calibration Menu, set each speaker (channel) in the system to the same volume level. While you can get reasonable results doing this by ear, it is best to use an inexpensive Sound Pressure (SPL) meter to get better channel to channel balance. Some new receivers and processors have Auto Set Up functions that use a supplied microphone to set levels automatically.

Troubleshooting

If you experience any difficulties with your Invisa HTR 7000/8000 speakers, try the suggestions described below. If you are still having problems, please consult your GoldenEar Authorized Dealer for assistance.

1. Make sure all your system interconnects, speaker cables and power cords are solidly in place.
2. Check that no foreign objects or liquid has entered the speaker.
3. If no sound comes out or the sound is distorted in some way and you are sure the system is set up properly, please bring the speaker to your GoldenEar Authorized Dealer for assistance. But make sure you **Call First**.

Service

Service and warranty work on your GoldenEar loudspeakers will normally be performed by your local GoldenEar dealer. If, however, you wish to return the speaker to us, please contact us first, describing the problem and requesting authorization as well as the location of the nearest factory service center.

Please note that the address given in this booklet is the address of our office only. Under no circumstances should products or parts be shipped to our offices or returned without contacting us first and obtaining return authorization.

The Quest Group dba
GoldenEar™
2621 White Road
Irvine, CA 92614 USA
Phone: 949-800-1800

Technical Assistance

It is our pleasure to offer assistance if you have any questions regarding your Invisa HTR 7000/8000 speakers or their set-up. Please contact your nearest GoldenEar dealer or contact us directly at 949-800-1800.

Recycling and Reuse Guidelines for Europe



In accordance with the European Union WEEE (Waste Electrical and Electronic Equipment) directive effective August 13, 2005, we would like to notify you that this product may contain regulated materials which, upon disposal, according to the WEEE directive, require special reuse and recycling processing. For this reason GoldenEar (manufacturers of GoldenEar speakers) has arranged with our distributors in European Union member nations to collect and recycle this product at no cost to you. To find your local distributor please contact the dealer from whom you purchased this product or go to our website at www.goldenear.com.

Please note that the product only falls under the WEEE directive. When disposing of packaging and other shipping material we encourage you to recycle through the normal channels.



Specifications

Invisa® HTR 7000

Dimensions:	10-1/2" (26.8 cm) Diameter x 4-15/16" (12.6 cm) Deep
Cutout:	9" (22.9 cm) Diameter
Weight:	4 lbs. 8 oz. (2.04 kg)
Frequency Response:	25 Hz – 35 kHz
Efficiency:	90 dB
Nominal Impedance:	Compatible with 8 ohms
Driver Complement:	One 7" high-definition cast-basket MVPP mid/bass drivers One HVFR High Velocity Folded Ribbon tweeter
Rec. Amplification:	10 – 250 Watt/channel

Invisa® HTR 8000

Dimensions:	13-3/16" (33.5 cm) Diameter x 5-15/16" (15 cm) Deep
Cutout:	11-5/8" (29.5 cm) Diameter
Weight:	8 lbs. 6 oz. (3.8 kg)
Frequency Response:	23 Hz – 35 kHz
Efficiency:	92 dB
Nominal Impedance:	Compatible with 8 ohms
Driver Complement:	One 8" high-definition cast-basket MVPP mid/bass drivers High-Gauss Neodymium High-Velocity Folded Ribbon (HVFR) Reference Tweeter
Rec. Amplification:	10 – 300 Watt/channel

Specifications are subject to change without notice.



Limited Warranty

5-YEARS FOR DRIVERS AND CABINETS, 3-YEARS FOR ELECTRONIC COMPONENTS

GoldenEar™ warrants to the original retail purchaser only that this GoldenEar Loudspeaker Product (the "Product") will be free from defects in materials and workmanship for a period of five (5) years covering the drivers and cabinets, and three (3) years for the electronic components from the date of the original purchase from a GoldenEar Authorized Dealer. However, this warranty will automatically terminate prior to the expiration of five (5) years for the drivers and cabinets and three (3) years for the electronic components if the original retail purchaser sells or otherwise transfers the Product to any other party. The original retail purchaser shall hereinafter be referred to as "you." Defective Products must be shipped, together with proof of date of purchase, prepaid insured to the Authorized Dealer from whom you purchased the Product, or to the nearest factory service center. Product(s) must be shipped in the original shipping container or its equivalent; in any case the risk of loss or damage in transit is to be borne by you. If, upon examination at the Factory or a GoldenEar Authorized Dealer, it is determined that the unit was defective in materials or workmanship at any time during this Warranty period, GoldenEar or the GoldenEar Authorized Dealer will, at its option, repair or replace this Product at no additional charge, except as set forth below. All replaced parts and Product(s) become the property of GoldenEar. Product(s) replaced or repaired under this Warranty will be returned to you, within a reasonable time, freight collect.

This Warranty does not include service or parts to repair damage caused by accident, misuse, abuse, negligence, inadequate packing or shipping procedures, commercial use, voltage in excess of the rated maximum of the unit, cosmetic appearance of cabinetry not directly attributable to defects in materials or workmanship, or service, or repair or modification of the Product which has not been authorized by GoldenEar. GoldenEar makes no Warranty with respect to its Products purchased from dealers or outlets other than GoldenEar Authorized Dealers. This Warranty is in lieu of all other expressed Warranties. If this Product is defective in material or workmanship as warranted above, your sole remedy shall be repair or replacement as provided above. In no event will GoldenEar be liable to you for any incidental or consequential damages arising out of the use or inability to use the Product, even if GoldenEar or a GoldenEar Authorized Dealer has been advised of the possibility of such damages, or for any claim by any other party. Some states do not allow the exclusion or limitation of consequential damages, so the above limitation may not apply to you.

All implied warranties on the Product are limited to the duration of this expressed Warranty. Some states do not allow limitation on how long an implied Warranty lasts, so the above limitations may not apply to you. This Warranty gives you specific legal rights, and you also may have other rights which vary from state to state.



This product complies with the essential requirements of the EMC directive 89/336/EEC

Visit us at www.goldenear.com

Copyright © 2021 GoldenEar. All rights reserved.
Reproduction in whole or in part without our express permission is prohibited.